

C

Temperature probes for PRÜFTECHNIK data collectors

1

VIB 8.605 : Built-in temperature probe for VIBROTIP / VIBSCANNER (spare part)

VIB 8.607-1,5 : Temperature probe with magnetic holder, 1.5 m

VIB 8.608 : Handheld temperature probe

2

3

4

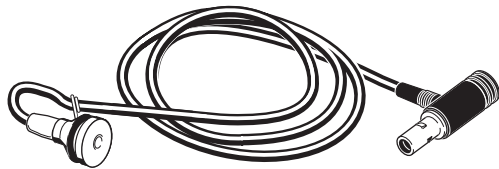
5

6

A



VIB 8.605



VIB 8.607-1,5



VIB 8.608



Temperature

Description

Temperature probes for PRÜFTECHNIK data collectors include a thermocouple type K, which can be used for temperature measurements up to 500 ° C.

Application

The temperature probe VIB 8.605 is a spare part for VIBROTIP's or VIBSCANNER's built-in temperature probe. It can be easily replaced by pressing a button. Its flexible, rubberized neck allows optimum contact with the measurement location and temperature measurements in liquids.

The temperature probe with magnetic holder VIB 8.607-1,5 is used to reach poorly-accessible measurement lo-

cations, which are not accessible with VIBROTIP's or VIBSCANNER's built-in temperature probe. The powerful magnet makes for extremely quick and simple mounting.

The handheld temperature probe VIB 8.608 measures up to 500°C. The long, narrow probe tip allows measurements even at hard to reach locations.

Notes

Applies to VIB 8.607-1,5:

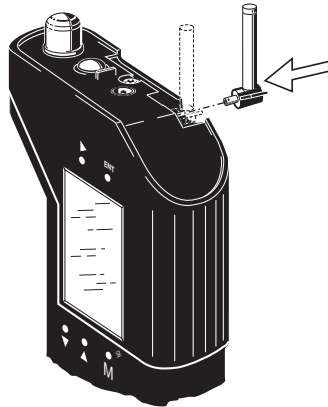
During transport / storage a steel washer as a short-circuit rail is mounted on the pole pieces.

The safety data sheet is available upon request (info@pruftechnik.com) or in the Internet (www.pruftechnik.com).

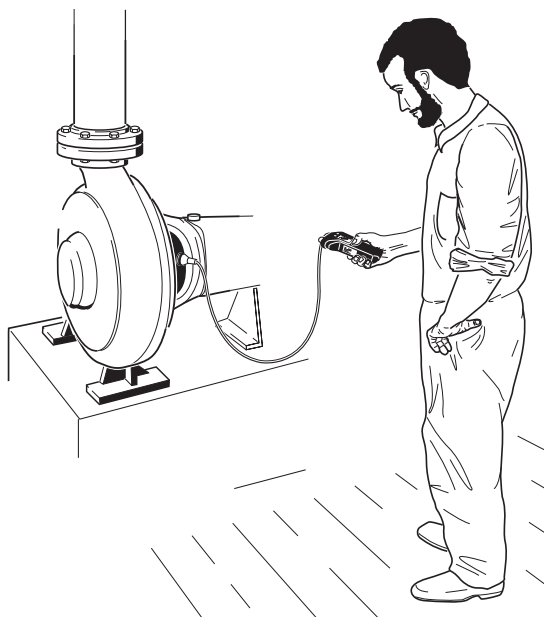
Technical data

PARAMETER		VIB 8.605	VIB 8.607-1,5	VIB 8.608
Measurement	Type	Thermocouple type K		
	Meas. range	-30°C.. +270°C	-50°C ... +240°C	-50°C ... +500°C
	Sensitivity	--	0.040 mV/°C	
	Accuracy	< 3%		
Mechanical	Dimensions (L x Ø)	25 mm x 11 mm	14 mm (Ø)	250 mm x 3 mm
	Cable length	--	1,5 m	--
	Weight	6 g	28 g	83 g
	Connector	QLA plug		

Application examples



Replacing the internal VIBROTIP temperature probe VIB 8.605



Temperature probe VIB 8.607-1,5 used with VIBROTIP